

SECURITY SECURITY SIGNALING



Access & Power Integration

Trove1BV1

- Trove1 enclosure with Altronix/Brivo backplane (TBV1)

TBV1

- Altronix/Brivo backplane only

Trove2BV2

- Trove2 enclosure with Altronix/Brivo backplane (TBV2)

TBV2

- Altronix/Brivo backplane only

Trove3BV3

- Trove3 enclosure with Altronix/Brivo backplane (TBV3)

TBV3

- Altronix/Brivo backplane only

Installation Guide

All registered trademarks are property of their respective owners.

Rev. TBV030521

Installing Company: _____ Service Rep. Name: _____

Address: _____ Phone #: _____

Overview:

Trove1BV1, Trove2BV2 and Trove3BV3 accommodate various combinations of Brivo boards with or without Altronix power supplies and accessories for access control systems.

Specifications:

- 16 Gauge backplane and enclosure with ample knockouts for convenient access.

Trove1BV1

Trove1 enclosure with TBV1 Altronix/Brivo backplane.

- 16 Gauge enclosure with ample knockouts for convenient access.
- Includes: tamper switch, cam lock, lock nuts and mounting hardware.
- Enclosure Dimensions (H x W x D):
18" x 14.5" x 4.625" (457mm x 368mm x 118mm).

TBV1

Altronix/Brivo backplane.

- 16 Gauge backplane.
- Includes mounting hardware.
- Dimensions (H x W x D):
16.625" x 12.5" x 0.3125" (422.3mm x 317.5mm x 7.9mm).

TBV1 accommodates a combination of the following:

Altronix Modules:

- One (1) AL400ULXB2, AL600ULXB, AL1012ULXB, AL1024ULXB2, eFlow4NB, eFlow6NB, eFlow102NB or eFlow104NB.
- One (1) ACM4(CB), MOM5, PD4UL(CB), PD8UL(CB), PDS8(CB), VR6.

Brivo Controls Modules:

- One (1) ACS6000 Main Board and one (1) ACS6000 Accessory board.

Trove2BV2

Trove2 enclosure with TBV2 Altronix/Brivo backplane.

- 16 Gauge enclosure with ample knockouts for convenient access.
- Includes: tamper switch, cam lock, lock nuts and mounting hardware.
- Enclosure Dimensions (H x W x D):
27.25" x 21.75" x 6.5" (692.2mm x 552.5mm x 165.1mm).

TBV2

Altronix/Brivo backplane only.

- 16 Gauge backplane.
- Includes: lock nuts and mounting hardware.
- Dimensions (H x W x D):
25.375" x 19.375" x 0.3125" (644.5mm x 492.1mm x 7.9mm).

TBV2 accommodates a combination of the following:

Altronix Modules:

- Two (2) AL400ULXB2, AL600ULXB, AL1012ULXB, AL1024ULXB2, eFlow4NB, eFlow6NB, eFlow102NB or eFlow104NB.
- Two (2) ACM8(CB), ACMS8(CB) or
- Two (2) ACM4(CB), MOM5, PD4UL(CB), PD8UL(CB), PDS8(CB), VR6.

Brivo Controls Modules:

- One (1) ACS6000 Main Board and three (3) ACS6000 Accessory boards.

Trove3BV3

Trove3 enclosure with TBV3 Altronix/Brivo backplane.

- 16 Gauge enclosure with ample knockouts for convenient access.
- Includes: two (2) tamper switches, cam lock, lock nuts and mounting hardware.
- Enclosure Dimensions (H x W x D):
36.12" x 30.125" x 7.06" (917.5mm x 768.1mm x 179.3mm).

TBV3

Altronix/Brivo backplane only.

- 16 Gauge backplane.
- Includes: lock nuts and mounting hardware.
- Dimensions (H x W x D): 34" x 28" x 0.3125"
(863.6mm x 711.2mm x 7.9mm).

TBV3 accommodates a combination of the following:

Altronix Modules:

- Two (2) AL400ULXB2, AL600ULXB, AL1012ULXB, AL1024ULXB2, eFlow4NB, eFlow6NB, eFlow102NB or eFlow104NB.
- Two (2) ACM8(CB), ACMS8(CB) or
- Up to four (4) ACM4(CB), MOM5, PD4UL(CB), PD8UL(CB), PDS8(CB), VR6.

Brivo Controls Modules:

- One (1) ACS6000 Main Board and eight (8) ACS6000 Accessory boards.

Battery Backup:

- Trove2 enclosure accommodates up to two (2) 12VDC/12AH batteries.
- Trove3 enclosure accommodates up to four (4) 12VDC/12AH batteries.

Agency Listings:

- UL 294 - 6th edition: Line Security I, Destructive Attack I, Endurance IV, Stand-by Power II*.
*Stand-by Power Level I if no battery is supplied.
- This Class B digital apparatus complies with Canadian ICES-003.
Cet appareil numérique de la classe B est conforme à la norme NMB-003 du Canada.
- CE European Conformity.

Installation Instructions for Trove1, Trove2 and Trove3:

1. Remove backplane from enclosure prior to mounting (do not discard hardware).

2. **Trove1BV1** (Pg. 8):

Mark and predrill holes on the wall to line up with the top two keyholes in the enclosure. Install two upper fasteners and screws in the wall with the screw heads protruding. Place the enclosure's upper keyholes over the two upper screws; level and secure.

Mark the position of the lower two holes. Remove the enclosure. Drill the lower holes and install the two fasteners.

Place the enclosure's upper keyholes over the two upper screws. Install the two lower screws and make sure to tighten all screws.

Trove2BV2 and Trove3BV3 (Pg. 10, 12):

Mark and predrill holes on the wall to line up with the top three keyholes in the enclosure. Install three upper fasteners and screws in the wall with the screw heads protruding. Place the enclosure's upper keyholes over the three upper screws; level and secure.

Mark the position of the lower three holes. Remove the enclosure. Drill the lower holes and install the three fasteners.

Place the enclosure's upper keyholes over the three upper screws. Install the three lower screws and make sure to tighten all screws.

3. Mount included UL Listed tamper switch(es) (Altronix Model TS112 or equivalent) in desired location, opposite hinge. Slide the tamper switch bracket onto the edge of the enclosure approximately 2" from the right side (Fig. 1, pg. 3).

Connect tamper switch wiring to the Access Control Panel input or the appropriate UL Listed reporting device. To activate alarm signal open the door of the enclosure.

4. Mount Altronix/Brivo modules to TBV1, TBV2 or TBV3 backplane, refer to *pages 4 - 6*.

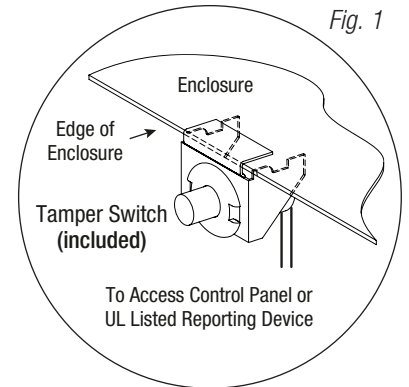


Fig. 1

TBV1: Configuration of Altronix Power Supply and Sub-Assemblies:

1. Fasten 5/8" spacers (provided) to pems that match the hole pattern for Altronix Power Supply/Charger or Altronix Sub-Assembly boards (Fig. 2, pg. 3). Fasten metal spacers in the correct locations to provide proper grounding (Fig. 2, pg. 4).
2. Mount boards to spacers utilizing 5/16" pan head screws (provided) (Fig. 2, 2a, pg. 4).

TBV1: Configuration of Brivo Controls Boards:

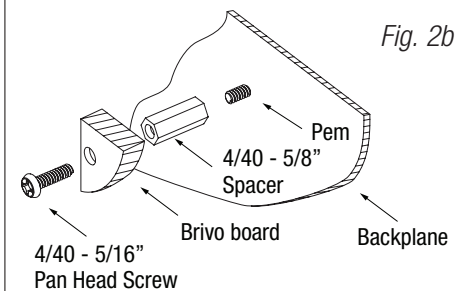
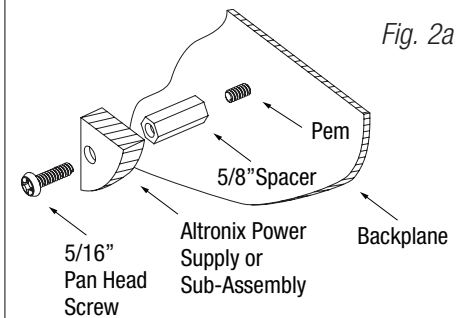
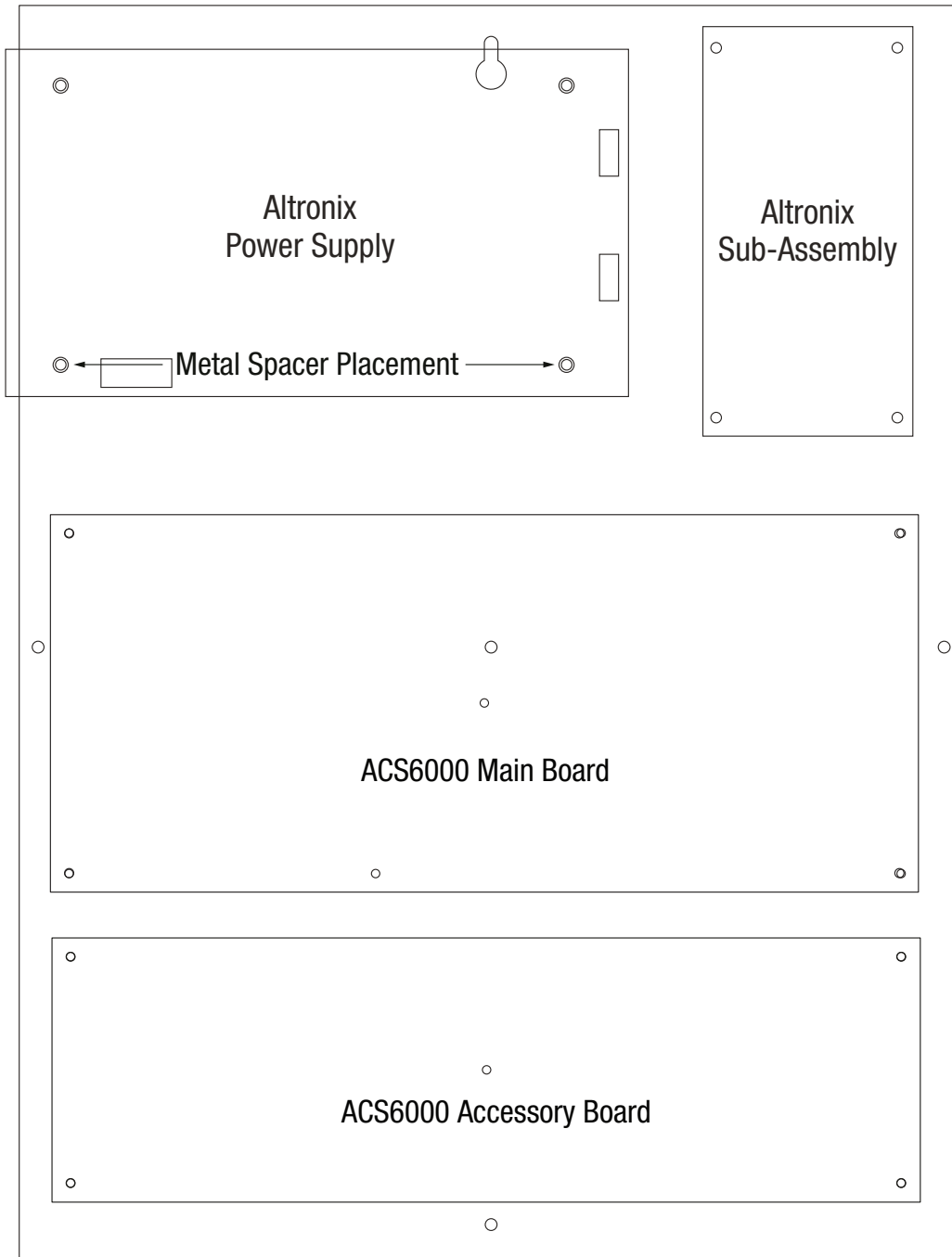
1. Align the Brivo board on the backplane to match the boards' mounting holes with corresponding pems.
2. Fasten 4/40 - 5/8" Metal Spacers (provided) to pems that match the hole pattern for Brivo board (Fig. 2, 2b, pg. 4).

Note: Brivo board must be properly grounded.

Please use provided metal spacers for the lower right mounting holes (Fig. 2, pg. 4).

3. Mount Brivo board to spacers utilizing provided 4/40 - 5/16" Pan Head Screws (Fig. 2b, pg. 4).
4. Fasten backplane to Trove1 enclosure utilizing lock nuts (provided).

Fig. 2 - Trove1BV1/TBV1 Configurations



TBV2: Configuration of Altronix Power Supplies and Sub-Assemblies:

1. Fasten 5/8" spacers (provided) to pems that match the hole pattern for Altronix Power Supply/Chargers or Altronix Sub-Assembly boards (Fig. 3, pg. 4). Fasten metal spacers in the correct locations to provide proper grounding (Fig. 3, pg. 5).
2. Mount boards to spacers utilizing 5/16" pan head screws (provided) (Fig. 3, 3a, pg. 5).

TBV2: Configuration of Brivo Boards:

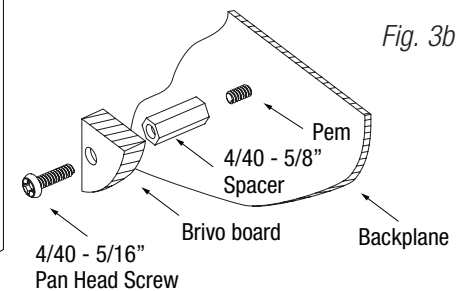
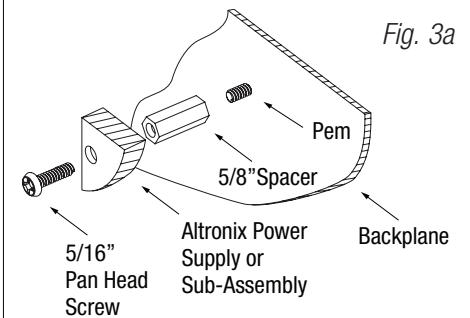
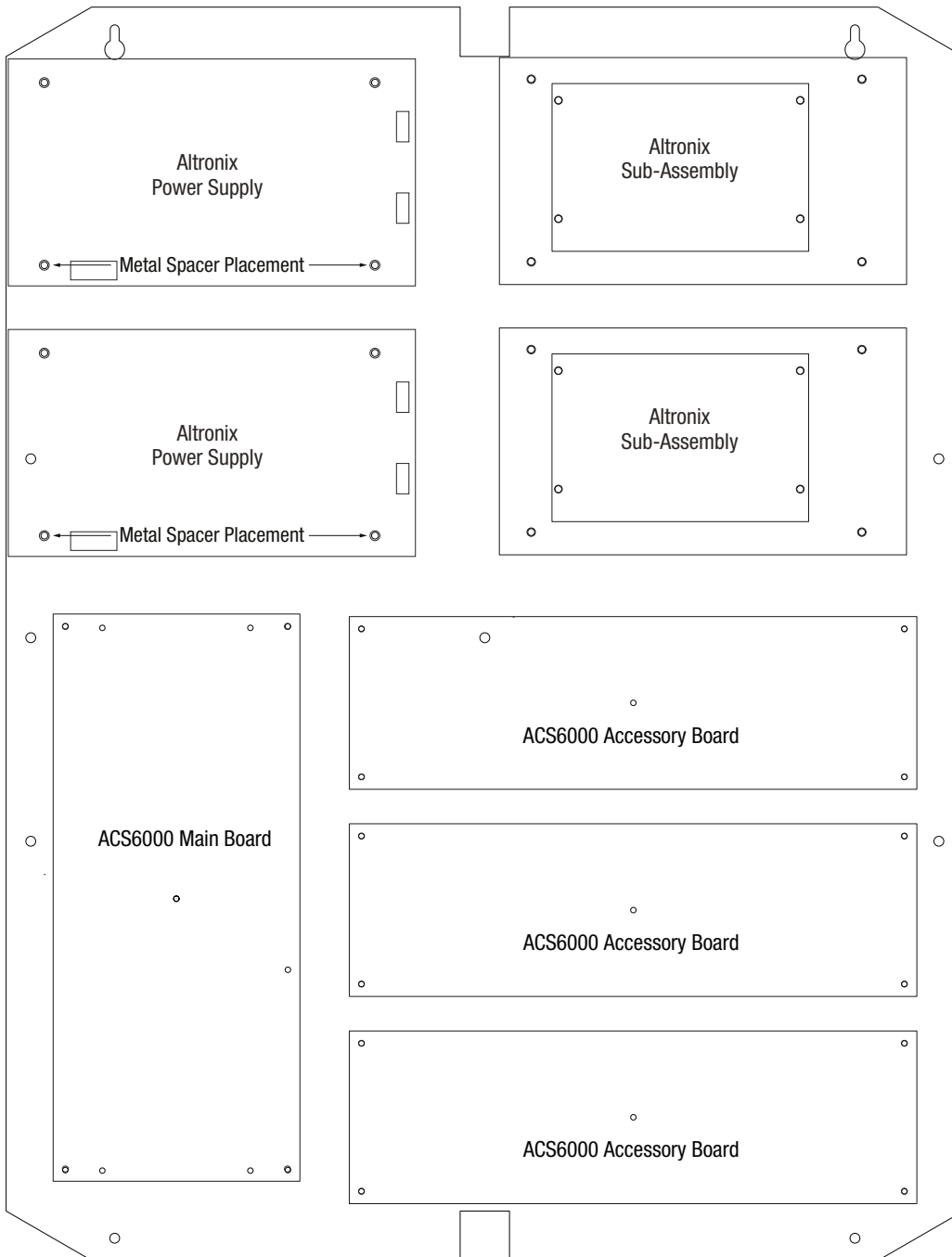
1. Align the Brivo boards on the backplane to match the boards' mounting holes with corresponding pems.
2. Fasten 4/40 - 5/8" Metal Spacers (provided) to pems that match the hole pattern for Brivo board (Fig. 3, 3b, pg. 5).

Note: Brivo board must be properly grounded.

Please use provided metal spacers for the upper left mounting holes (Fig. 3, pg. 5).

3. Mount Brivo boards to spacers utilizing provided 4/40 - 5/16" Pan Head Screws (Fig. 3b, pg. 5).
4. Fasten backplane to Trove2 enclosure utilizing lock nuts (provided).

Fig. 3 - Trove2BV2/TBV2 Configurations



TBV3: Configuration of Altronix Power Supplies and Sub-Assemblies:

1. Fasten 5/8" spacers (provided) to pems that match the hole pattern for Altronix Power Supply/Chargers or Altronix Sub-Assembly boards (Fig. 4, pg. 6). Fasten metal spacers in the correct locations to provide proper grounding (Fig. 4, pg. 6).
2. Mount boards to spacers utilizing 5/16" pan head screws (provided) (Fig. 4, 4a, pg. 6).

TBV3: Configuration of Brivo Boards:

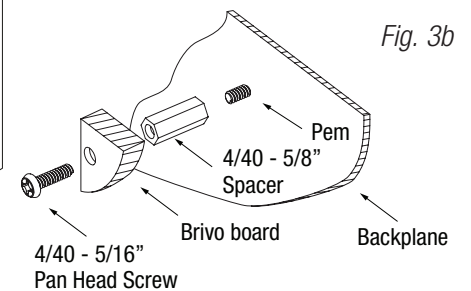
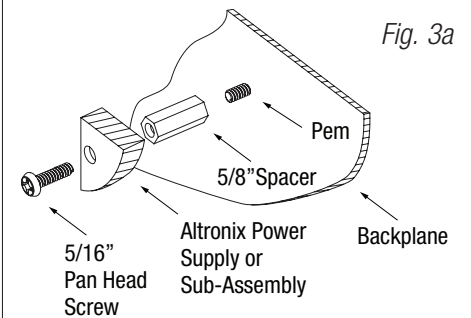
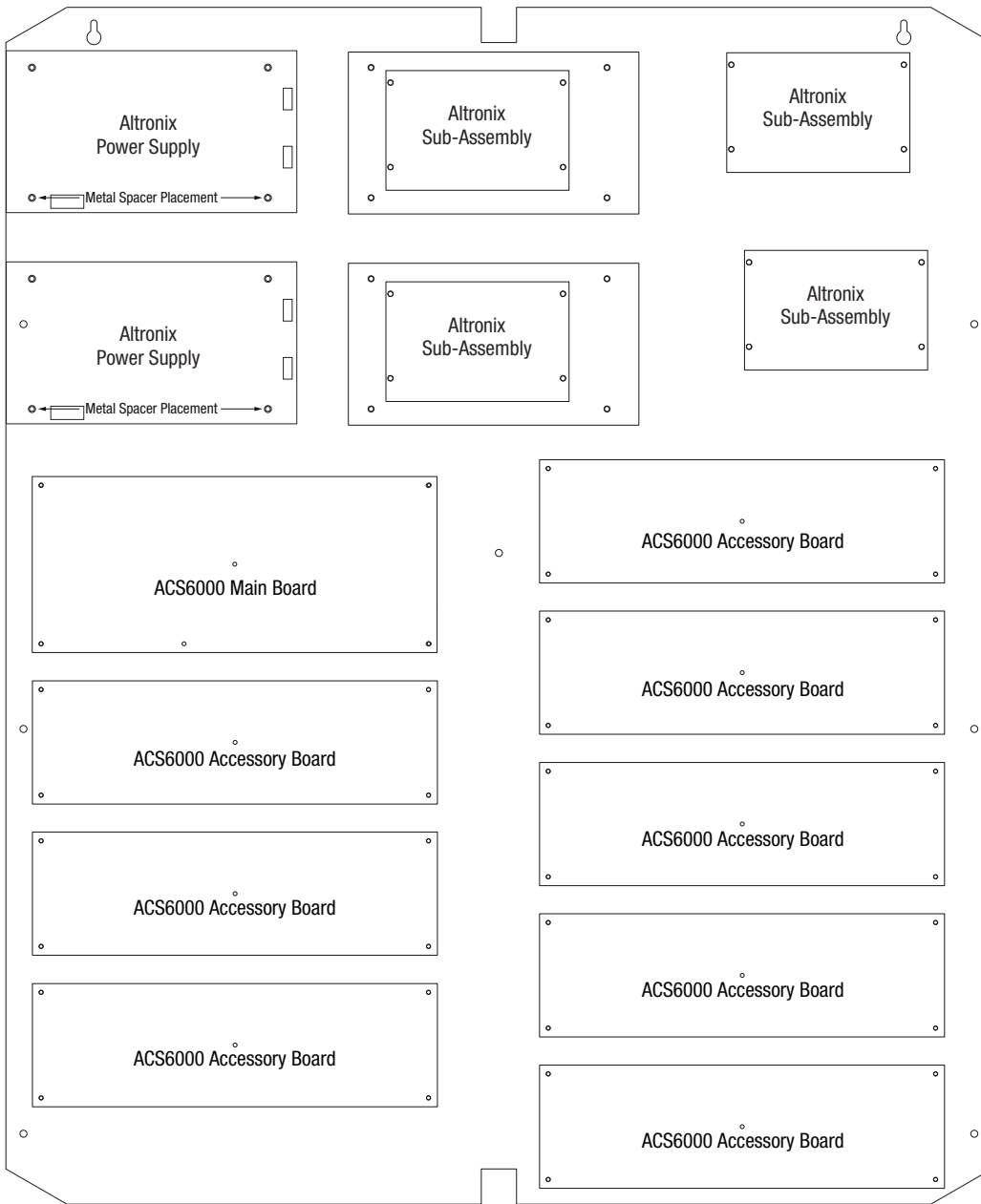
1. Align the Brivo boards on the backplane to match the boards' mounting holes with corresponding pems.
2. Fasten 4/40 - 5/8" Metal Spacers (provided) to pems that match the hole pattern for Brivo board (Fig. 4, 4b, pg. 6).

Note: Brivo board must be properly grounded.

Please use provided metal spacers for the upper left mounting holes (Fig. 4, pg. 6).

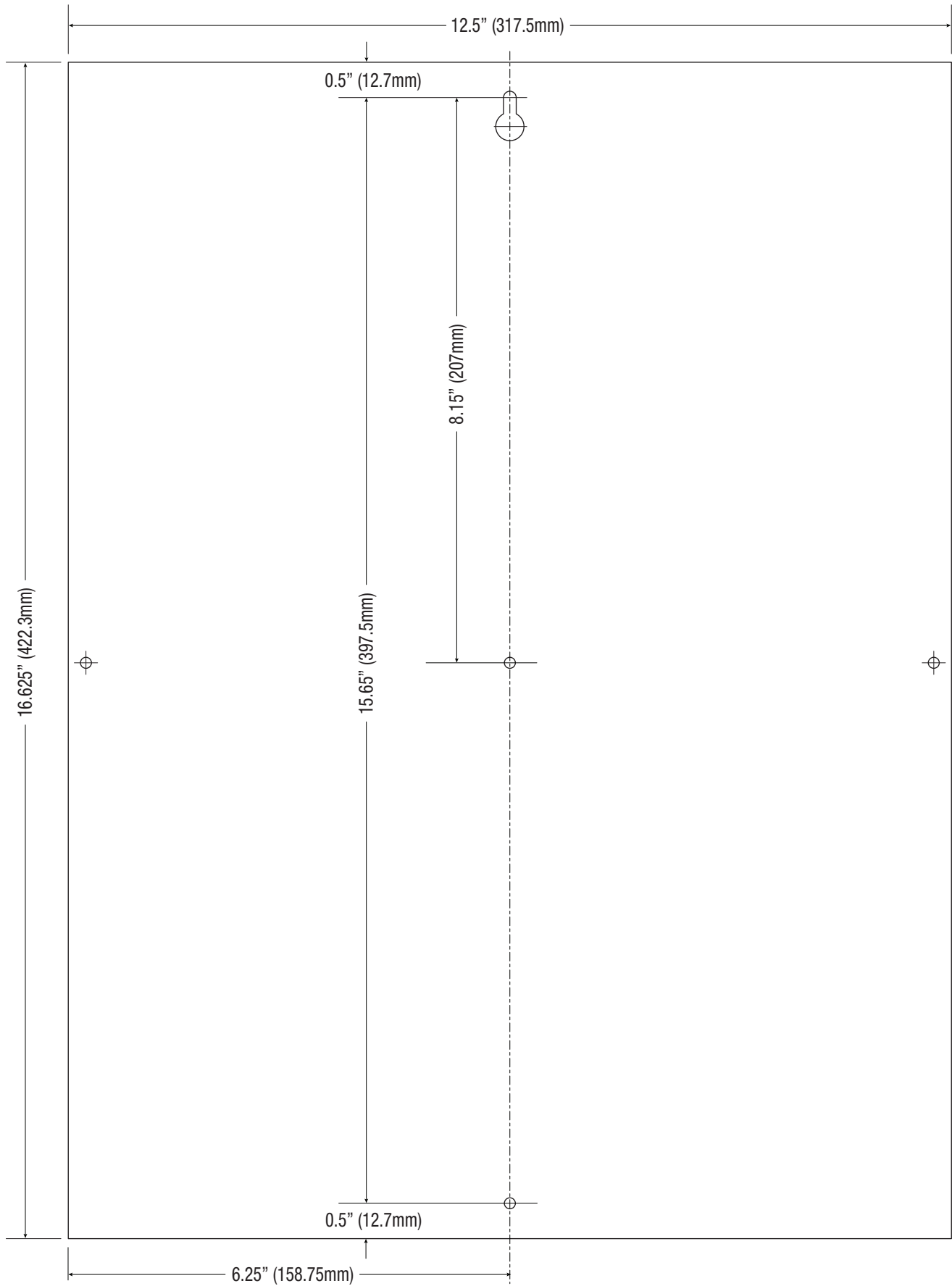
3. Mount Brivo boards to spacers utilizing provided 4/40 - 5/16" Pan Head Screws (Fig. 4b, pg. 6).
4. Fasten backplane to Trove3 enclosure utilizing lock nuts (provided).

Fig. 4 - Trove3BV3/TBV3 Configurations



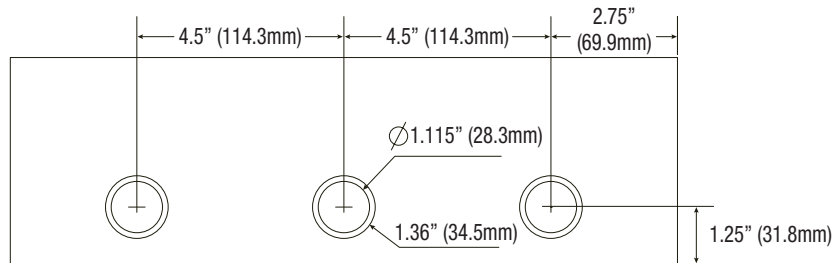
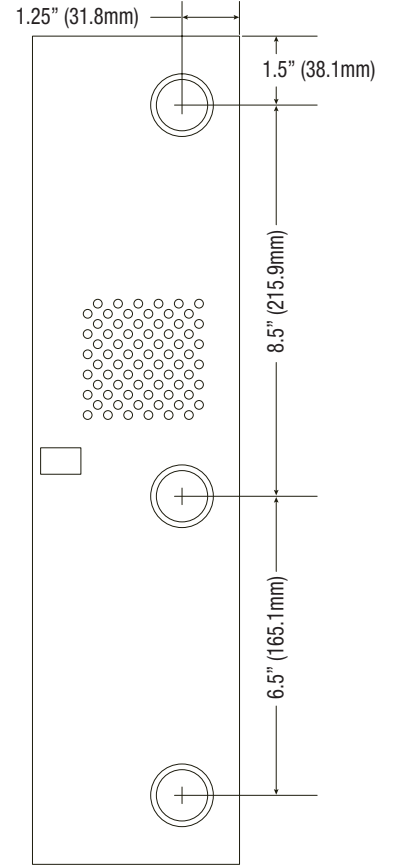
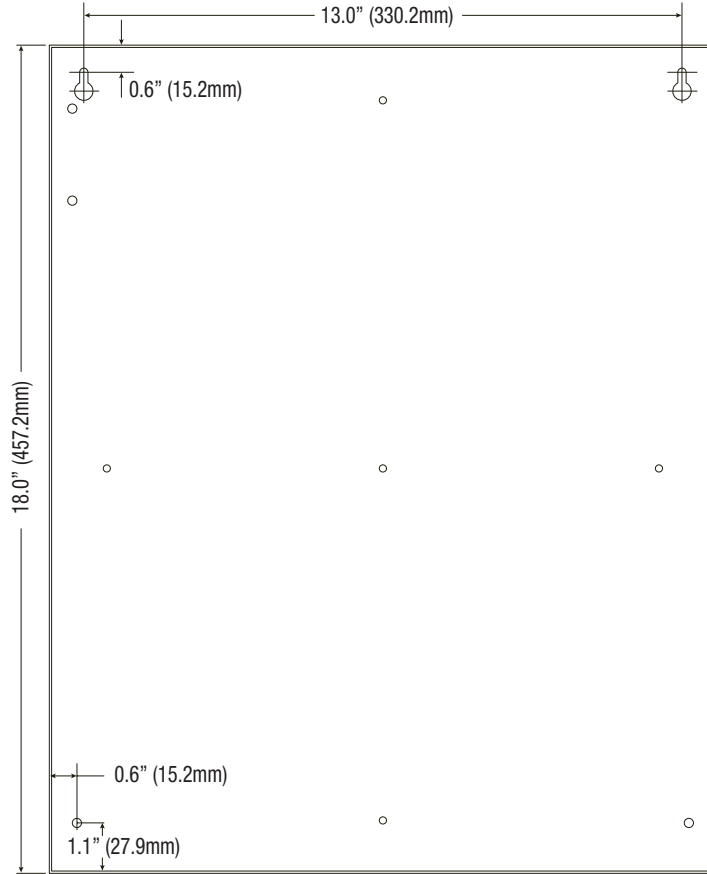
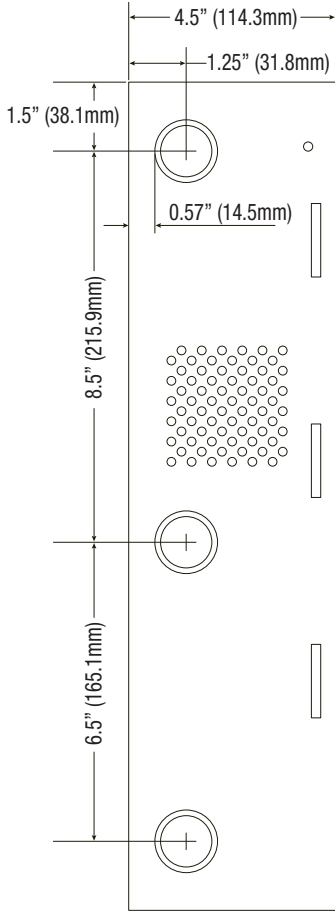
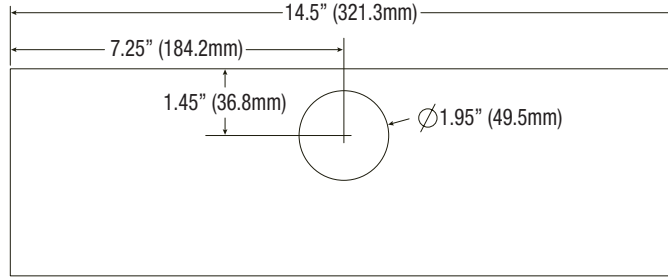
TBV1 Dimensions

16.625" x 12.5" x 0.3125" (422.3mm x 317.5mm x 7.9mm)



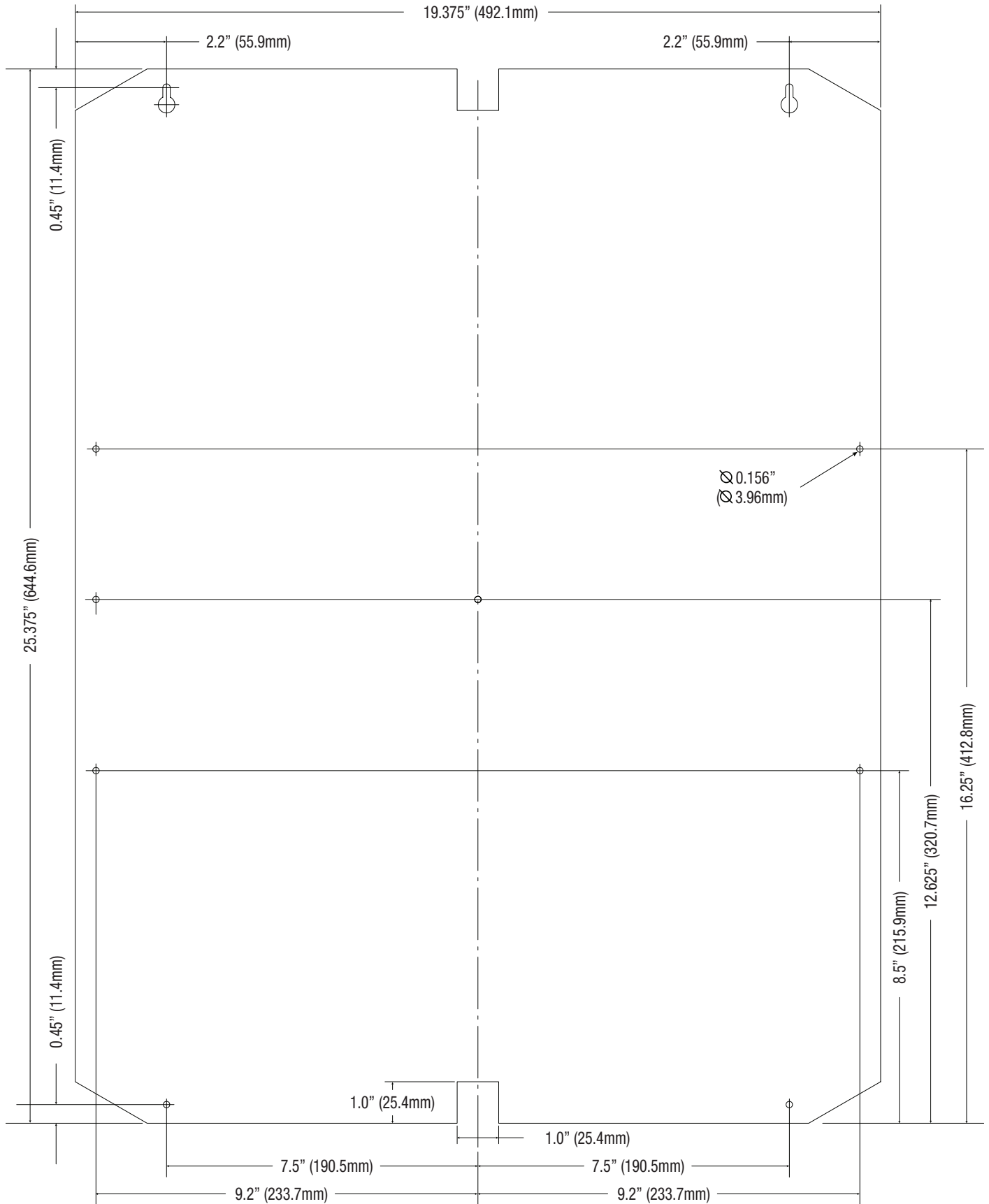
Trove1BV1 Enclosure Dimensions (H x W x D):

18" x 14.5" x 4.625" (457mm x 368mm x 118mm)



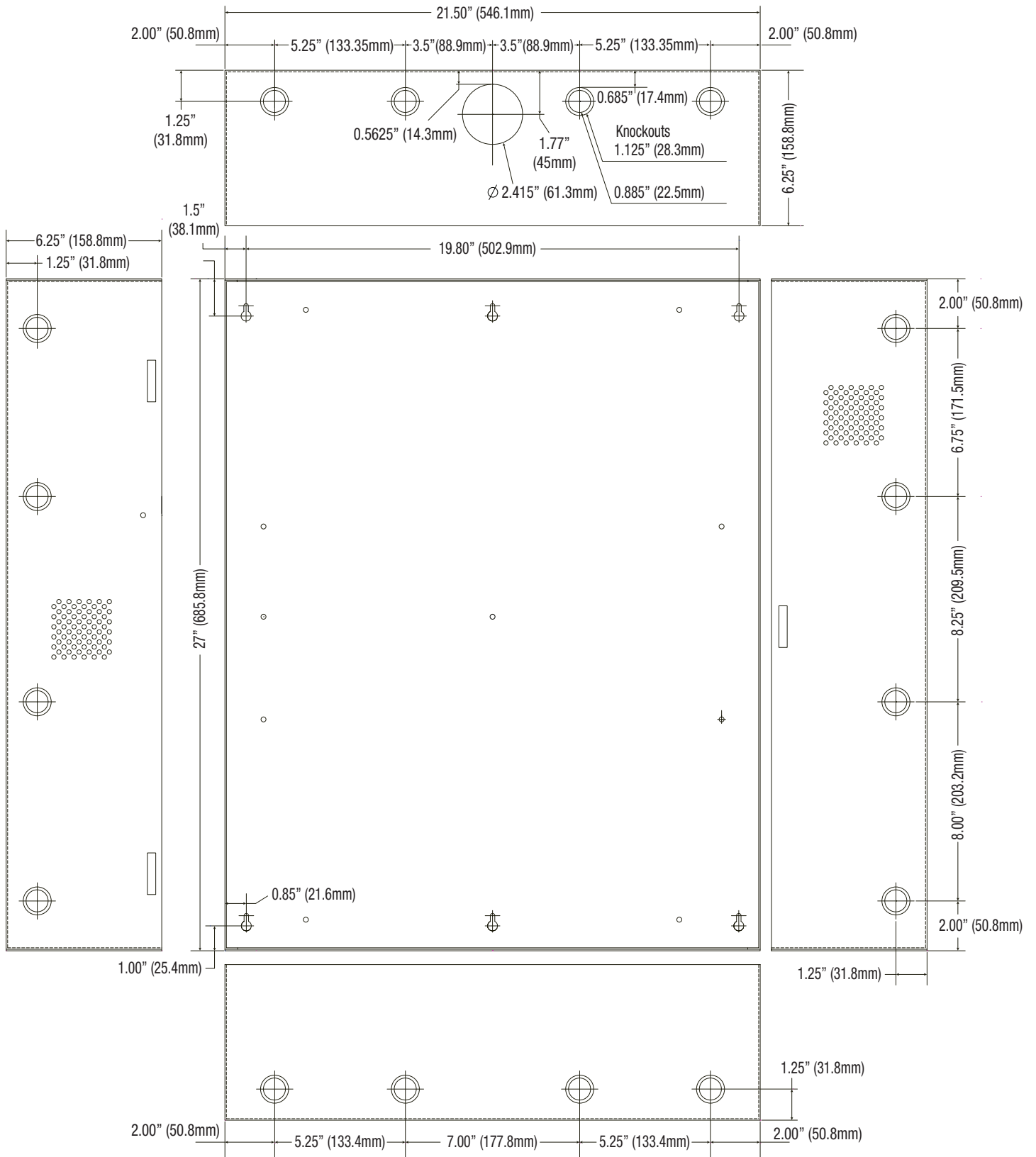
TBV2 Dimensions

25.375" x 19.375" x 0.325" (644.5mm x 482.6mm x 8.3mm)

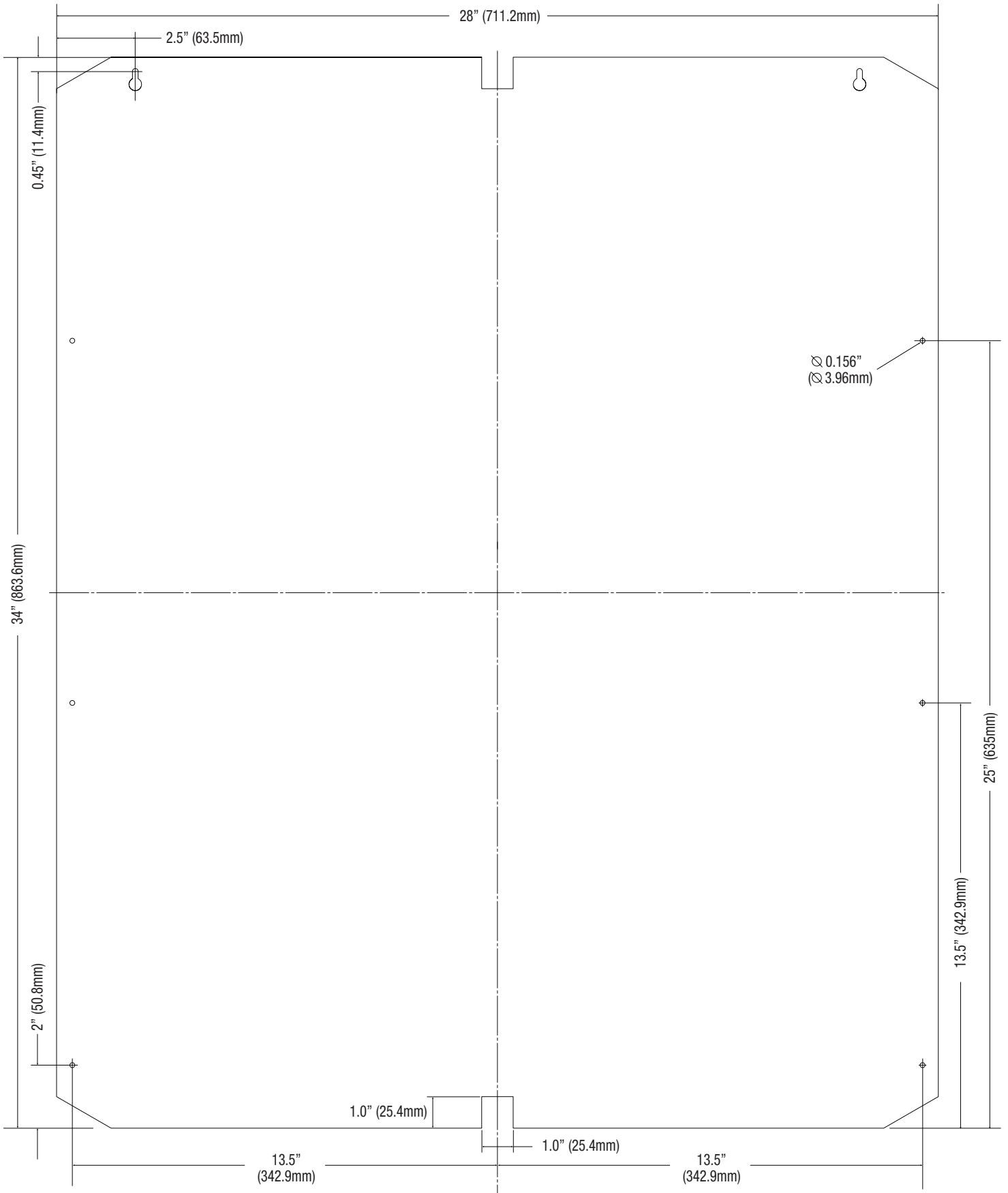


Trove2BV2 Enclosure Dimensions (H x W x D):

27.25" x 21.75" x 6.5" (692.2mm x 552.5mm x 165.1mm)

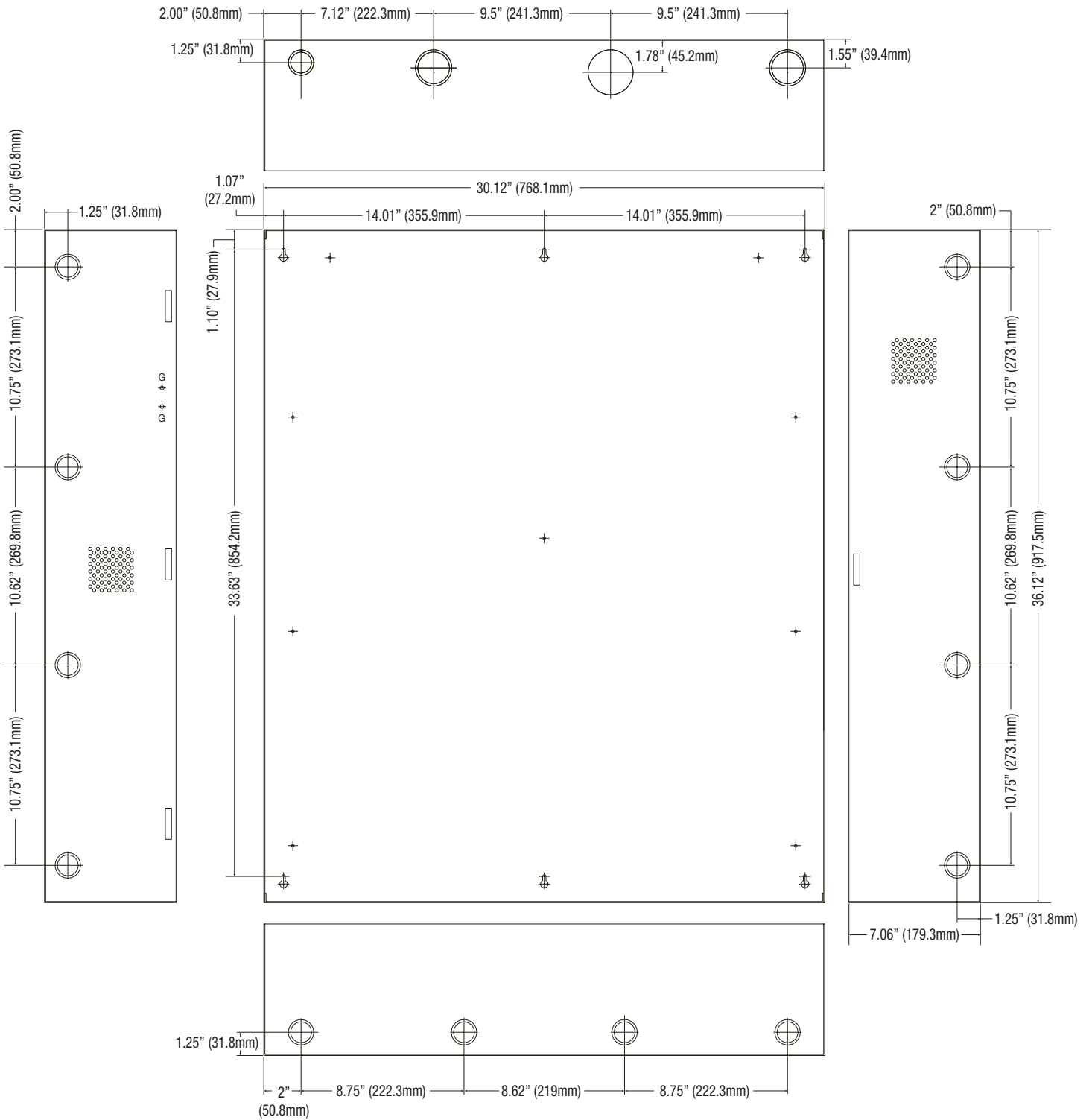


TBV3 Dimensions (H x W x D):
34" x 28" x 0.3125" (863.6mm x 711.2mm x 7.9mm)



Trove3BV3 Enclosure Dimensions (H x W x D approximate):

36.12" x 30.125" x 7.06" (917.5mm x 768.1mm x 179.3mm)



Brivo Inc. is not responsible for any typographical errors.

7700 Old Georgetown Rd #300 | Bethesda, MD 20814 USA
 phone: +1 866.692.7486 | email: customer care@brivo.com | www.brivo.com
 IITrove / Brivo

F10U